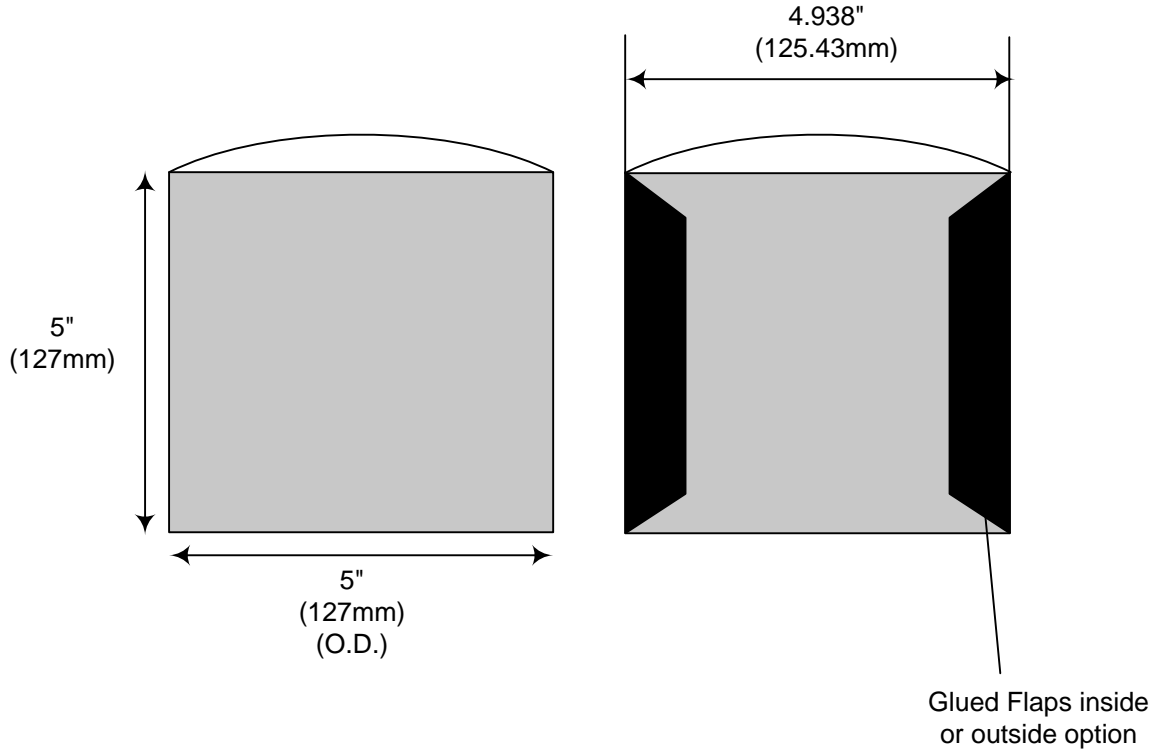


Paper Board Disc Sleeve



Note: Drawing not to Scale

Guidelines:

- Paper Board 14 to 16 point
- SBS, CIS (Solid Bleached Sulfite; Coated on print side only)
- Cuts and Scores must be square and void of nicks or tears.
- Aqueous Coating on print side only
- Foreign particles must be minimized during the printing, cutting, gluing and folding operations.
- Sleeves must be shipped in poly bag lined boxes to minimize corrugate dust and to provide moisture protection.