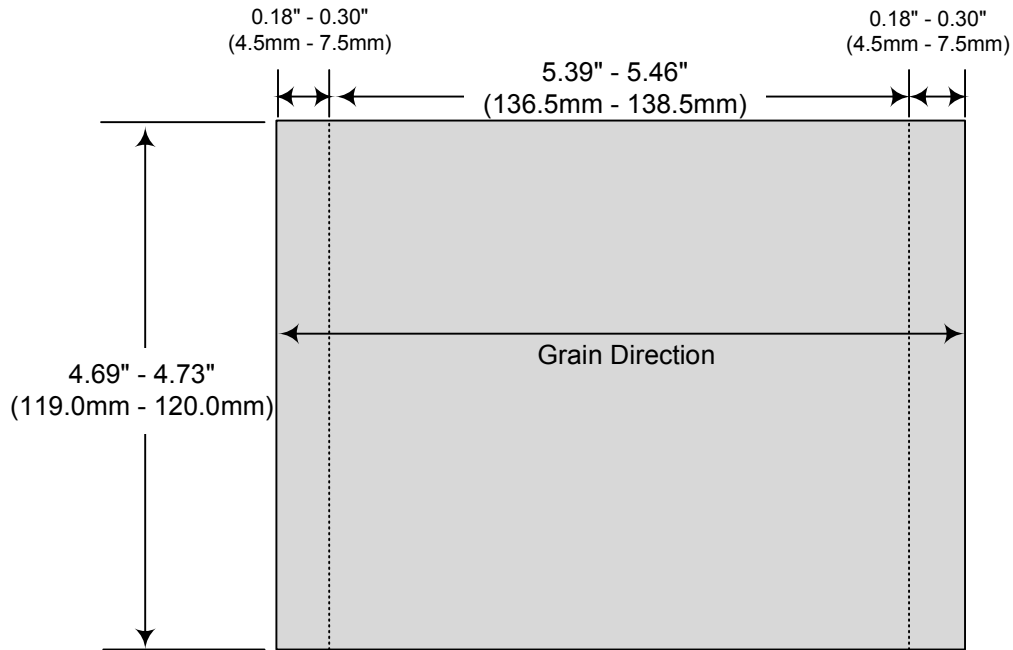


Inlay Card (aka Back Liner) for Jewel Case



Note: Drawing not to Scale

Paper Stock:

- **Type:** #2 or #3 Gloss Stock (coated on both sides)
- **Weight:** 80 Lb. or 100 Lb. Text-Book
- Perforations: Length (0.8 to 1.6mm); gap (0.8 to 1.6mm) Must be perforated, not scored.
- Do not UV coat or varnish before or after printing.
- Finished product must be perfectly flat and free of dirt and paper dust.

Note: Required printed material should not include country of origin references (Made in, manufactured in, etc.). In the event printed materials include country references/addresses (printed in USA, XYZ company, main street, anytown, state, USA): Technicolor will be required to imprint/label a country of origin marking on the exterior of the product.

